

**a biography**

**Chuck  
and  
Gladys Darr**

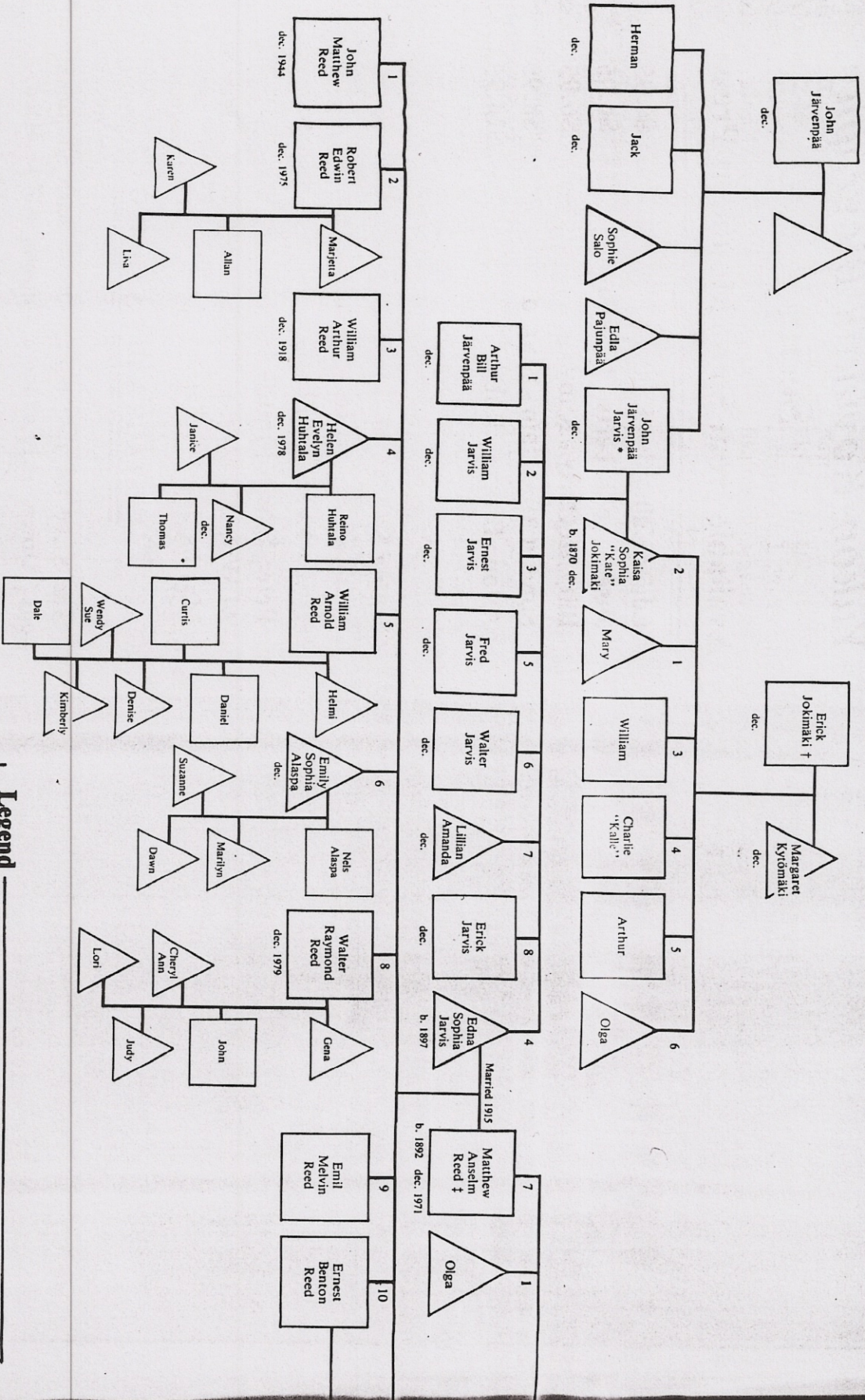


**Manley Hot Springs**

# Index

- airplane 35,36  
Alaska 22-26  
Alaska Highway 23, 24  
Alaska, Eino 49  
alcohol 24  
Anchitka 26-27  
army 47-49  
Automba, Minnesota 37-46  
Baker Hot Springs 64  
bear 29,71-76  
Bechtel 25  
Benson, Gus 66  
berry-picking 71-73  
Bredeman, Steve 78  
Browning, Tex 66  
Burr, Bill 72,73  
Byer, Bob 63  
changes 68,69,80  
childcare 53  
Clements 68,71  
Co-op Drugstore 28  
correspondence school 57  
Dart, Diane 53-58,72-74  
Dart, Elizabeth 12-16,19  
Dart, Jimmy 53-58,75  
Dart, Johnny 53-58  
Dart, Harry 12-16  
Dayo, Dixie 33  
Dayo, Stanley 68  
Delima, Rose 66  
Dennison Forks 29  
dogs 76  
economics (storekeeping, wages...)  
19,27,43,45,49,69,77  
education 17,21,49-61  
Fairbanks 27,28,30,35,36,69  
Fairchild, Cliff 35,36  
family 12-16,38-45,52-55
- farming 67  
Finnish 38-41  
Finwey, Jack 28-30  
fishing (fishwheel, fishcamp, fishtrap) 77  
flood 67  
food 16,30,43,69  
games 13,18,42  
gardens 16,42,43  
Gardner, Lee 72  
*gisak* 30,31  
goldmining 28,30,64  
Grise, Arnold 75  
greenhouse 54,56,80  
Gurtler 68  
Hetherington, Cy 68  
Hollingsworth, Dennis 78  
Hook, Jerry 78  
hot springs 22,23,56-59,62-67  
Hubbard, Lloyd & Jean 68  
hunting 29,30,43  
Jarvis, Grace & Bill 46  
Johnson, Pete 64,68  
Karshner 63,64,67  
Kemp, Bob 68  
Ladue 28-30  
Land Claims (ANCSA) 79  
language 39,40  
Lanning 68  
Lee, Bob 66  
logging 37  
mail 66  
Manley, Grank 63,64,67  
marriage 52-55  
Martin, Warren 28-30  
Mecca 28  
miners (also, see goldmining)  
names 38,39  
Natives 30,31,51
- Neubauer, Jack 78  
politics 15,31-33  
Pringle, Archie & Clara 68  
Proctor Minnesota 12-23  
prohibition 20  
Reed, Edna 38-40  
Reed, Matthew 38-44  
Richmond-Mortvedt, Damaris 61-77  
Roberts, Horace 75  
Roberts, Linda 73  
Ruby 61  
sauna 40,41  
Schikora, Fred 29  
school (also, see education)  
22,44,45,57-61  
Shockley, Barry 78  
Strandberg, Harold, & Barbara 68,71  
Taylor, Bill 77  
television 78  
Tofty 64  
trains 12-15  
transportation 67,68  
travel 22-24  
University of Alaska 27,28,30,49-52  
Vernet, Liza 76  
Willard, Tim 67  
women 33,34,46,50  
Wood, J.L. 77  
Woodhopper 64  
working for wages 22-27,45-50,56-61  
WWII 22,45  
young people (also, see children) 69  
Zackowitz, Harriet 22

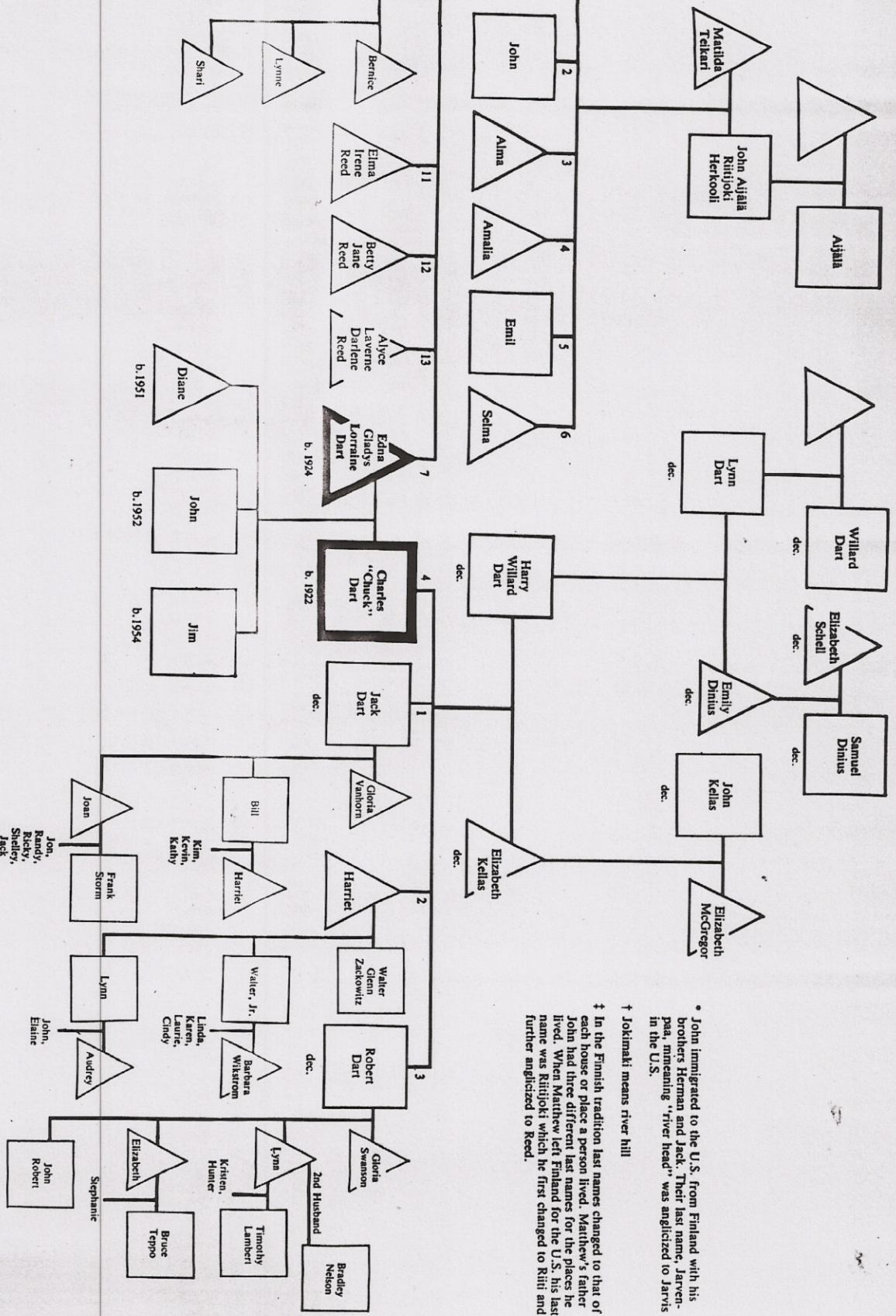
# Dart's Family Tree



## Legend

- △ = female
- = male
- ⋯ = adopted
- = married or mates

- b. = born
- dec. = deceased
- = brothers and sisters
- = parents of



\* John immigrated to the U.S. from Finland with his brothers Herman and Jack. Their last name, Jarvenpaa, meaning "river head" was anglicized to Jarvis in the U.S.

† Jokimaki means river hill

‡ In the Finnish tradition last names changed to that of each house or place a person lived. Matthew's father John had three different last names for the places he lived. When Matthew left Finland for the U.S. his last name was Riihijoki which he first changed to Riiti and further anglicized to Reed.

sisters

Ernest  
Benjamin  
Reed

Oliga

10

2

3

4

5

6

11

12

13

7

4

1

2

3

2nd Husband

John  
Robert

Stephanie

John  
Robert

John  
Robert

John  
Robert

John  
Robert

John  
Robert

John  
Robert

John  
Robert

John  
Robert

John  
Robert

John  
Robert

John  
Robert

John  
Robert

John  
Robert

John  
Robert

John  
Robert

John  
Robert

John  
Robert

John  
Robert

John  
Robert

John  
Robert

John  
Robert

John  
Robert

John  
Robert

John  
Robert

John  
Robert

John  
Robert

John  
Robert

John  
Robert

John  
Robert

John  
Robert

John  
Robert

John  
Robert

John  
Robert

John  
Robert

John  
Robert

John  
Robert

John  
Robert

John  
Robert

John  
Robert

John  
Robert

John  
Robert

John  
Robert

John  
Robert

John  
Robert

John  
Robert

John  
Robert

John  
Robert

John  
Robert

John  
Robert

John  
Robert

John  
Robert

John  
Robert

John  
Robert

John  
Robert

John  
Robert

John  
Robert

John  
Robert

John  
Robert

John  
Robert

John  
Robert

John  
Robert

John  
Robert

John  
Robert

John  
Robert

John  
Robert

John  
Robert

John  
Robert

John  
Robert

John  
Robert

John  
Robert

John  
Robert

John  
Robert

John  
Robert

John  
Robert

John  
Robert

John  
Robert

John  
Robert

John  
Robert

John  
Robert

John  
Robert

John  
Robert

John  
Robert

John  
Robert

John  
Robert

John  
Robert

John  
Robert

John  
Robert

John  
Robert

John  
Robert

John  
Robert

John  
Robert

John  
Robert

John  
Robert

John  
Robert

John  
Robert

John  
Robert

John  
Robert

John  
Robert

John  
Robert

John  
Robert

John  
Robert

John  
Robert

John  
Robert

John  
Robert

John  
Robert

John  
Robert

John  
Robert

John  
Robert

John  
Robert

John  
Robert

John  
Robert

John  
Robert

John  
Robert

John  
Robert

John  
Robert

John  
Robert

John  
Robert

John  
Robert

John  
Robert

John  
Robert

John  
Robert

John  
Robert

John  
Robert

John  
Robert

John  
Robert

John  
Robert

John  
Robert

John  
Robert

John  
Robert

John  
Robert

John  
Robert

John  
Robert

John  
Robert

John  
Robert

John  
Robert

John  
Robert

John  
Robert

John  
Robert

John  
Robert

John  
Robert

John  
Robert

John  
Robert

John  
Robert

John  
Robert

John  
Robert

John  
Robert

John  
Robert

John  
Robert

John  
Robert

John  
Robert

John  
Robert