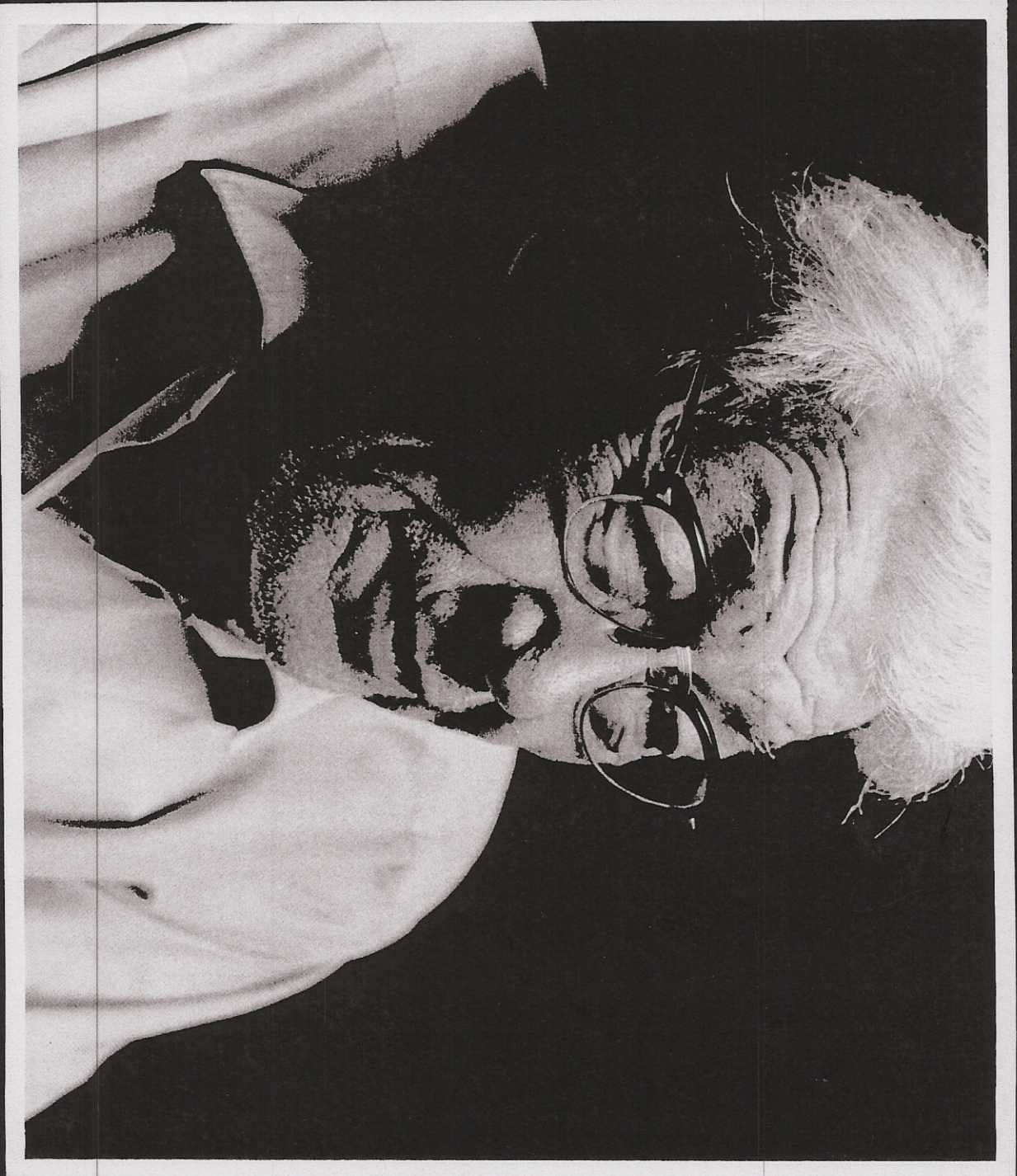


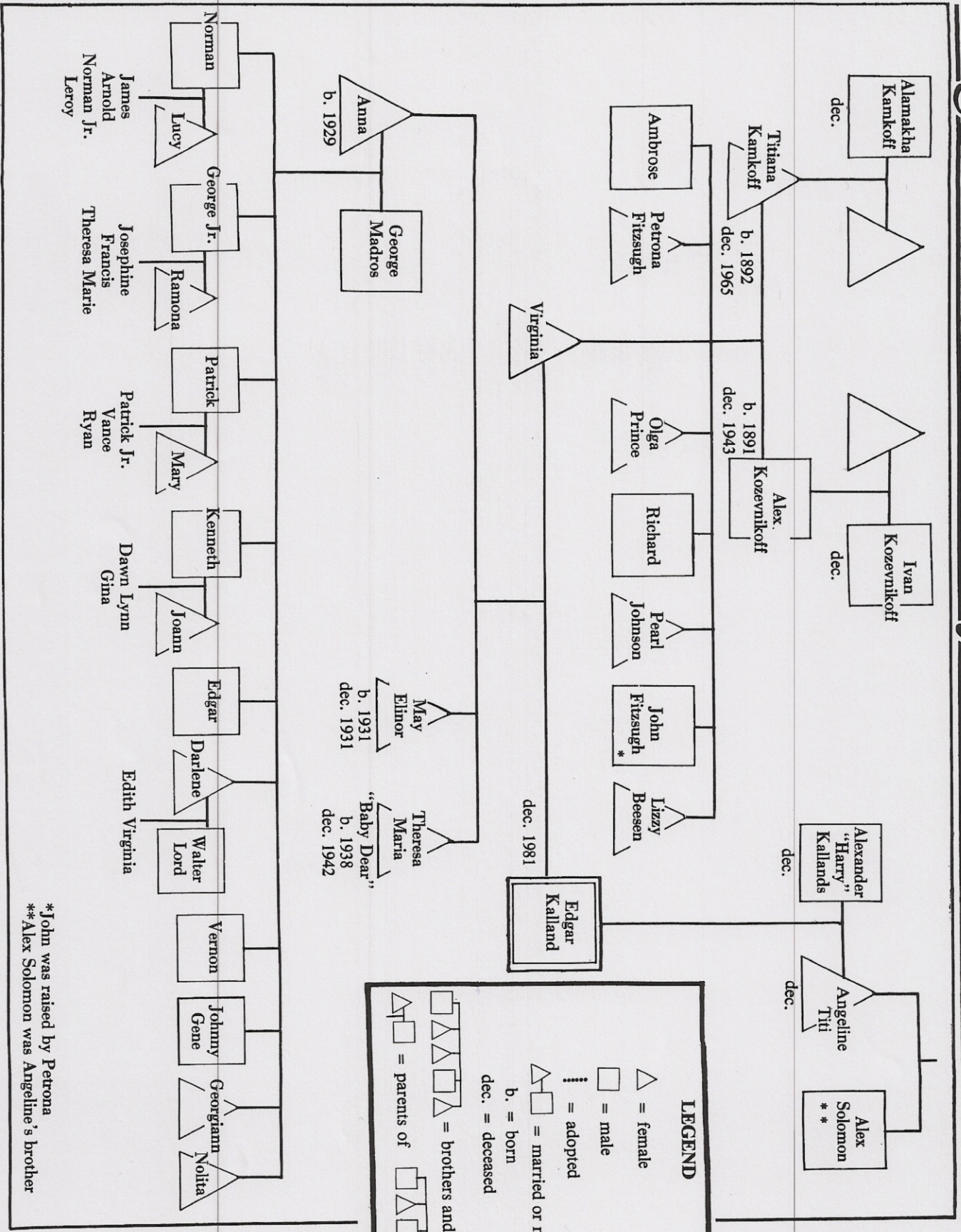
a biography



Edgar Kallands

Kalltag

# Edgar Kalland's Family Tree



**LEGEND**

- △ = female
- = male
- ⋮ = adopted
- △-□ = married or mates
- b. = born
- dec. = deceased
- △-△ = parents of
- △-△-△ = brothers and sisters
- = parents of

\*John was raised by Petrona  
 \*\*Alex Solomon was Angeline's brother

# Index

- Alexie, Old Man 59  
Able, Chris 20  
Adams, George 30, 31, 35  
airplane 42, 44  
*Alaska* 14, 26, 32  
Alaska Commercial 35  
Albert, Michael 56  
*Alice* 14  
Ambrose, Art 56  
Anchorage 43  
Anicich, Joe 20  
Anicich, Marie 20  
army 18, 20  
*Barry K* 32, 35  
Bartlett, Bob 43  
Beaver 32  
beaver 51, 52  
beadwork 34  
boats 21, 32, 34, 42, 54  
Bone, Governor 44, 48  
Brooks Trail 21  
Cambell, Arthur J. 20  
camp 21, 32, 51, 56  
Campbell, Johnny 45  
cannery work 39  
changes 59, 60  
Chemawa 23  
Chinihiak 36  
Circle 32  
cold 41  
Dall River 21  
Dawson 14, 32  
death 18, 21, 26  
*Delta* 14  
disease 44  
dogs 14, 15, 41-53  
Dorn, Fred 35  
Dow, Leon M. 28, 30  
Eagle 32  
economics 13, 20, 32-35, 51-57,  
59, 60  
education 13, 15-19, 21, 30, 31,  
35, 60  
electricity 58  
Emmonak 39  
Episcopal Mission 18  
Fairbanks 14, 21, 41, 55  
family 51  
fishing 12, 39  
food 55, 56  
Fort Gibbon 16, 18  
Fort Yukon 32  
Galena 31, 54, 59  
games 25, 37, 59  
gardens 13, 19, 20  
*General J. W. Jacobs* 14, 26  
goldmining 12, 43  
grandchildren 57  
Green, Dan 44, 47  
Green, George 14  
Green, Jack 14  
Hamilton 40  
Harper, Jesse (Mozee) 16  
healthcare 21, 31, 43-49  
Holy Cross 20, 23  
horses 20-23, 42, 44  
Hot Springs 32, 33, 42-45, 47  
houses (shelter) 13  
hunting 24-26, 56  
Iditarod Race 11, 43-49  
*Jeff Davis* 14  
Jetté 19  
Johnson, Axel 28  
Johnson, Walter 30  
*Julia B* 14, 31  
Kallands 12-15  
Kallands, Alexander (father) 12,  
14, 18-23  
Kallands, Angeline Titi 12, 18, 21  
Kallands, Anna (Madros) 40, 50  
Kallands, Virginia 11, 51, 54,  
56, 57  
Kaltag 11, 18, 43, 48, 54, 57, 59  
*Kaska* 14  
Kasten, Gunner 43  
Kee's 25  
Kee, Anna Pickett 18  
Kokrine, Margaret (Peterson) 18  
Kokrines 15, 49  
Kotlik 36  
Koyukon (language) 18, 23  
Langford, Mr. & Mrs. 13  
language (also see Koyukon) 18  
Lee's 25  
liquor 22, 24, 59, 60  
Little Henry 13, 15

- Little Paul 13  
 Lockwood 25  
 Madros, Anna (Kallands) 40, 52, 56  
 Madros, George 40, 51, 52  
   mail 12, 41-49  
 Manley Hot Springs (see Hot Springs) 32, 33, 42  
   marriage 40  
 Mason Creek Slough 12  
 Marshall 30, 35, 40  
 Martin, Harry 46  
*Mitred* 36  
 Minto 45  
*Minneapolis* 14  
 Minook, John 13  
 Minook, Adam 56  
 missionary 13, 18, 23  
 mooseskin 34  
 Mozee, Ben 16  
 muskrat 25, 26  
   names 13  
 Natives 18, 23  
 N.C. Company 20, 35, 39, 41-45, 57,  
   Nenana 28, 32, 41-45, 47  
   Newfoundland 12  
 Nickoli, Mike 49  
 Nome 11, 12, 15, 45  
 Northern Navigation Company 35  
 Nulato 18, 57  
 Old Woman 50  
  
 Parsons, T. A. 45  
   photography 19  
   prohibition 22  
 Raey, Fred 26  
 Rampart 32  
   rating (see muskrat)  
 Redington, Joe Sr. 43  
*Reliance* 14  
   roadhouses 12-14, 43, 46  
 Roberts, Essau 23, 25  
 Ruby 41, 44, 47  
 Russell, Opie 21, 22  
*Sarah* 14, 34, 38  
   school (also, education) 15-19, 58, 59  
*Schwatka* 29  
 Seattle 55  
 Seppala, Leonard 43  
   serum run 43-49  
   Seward 32, 45  
   sewing 34  
 Shade, Charlie 43  
 Shannon, Bill 45, 47  
   shelter (see houses)  
 Signal Corps 57  
 Skagway 32  
   sleds 15, 48  
   sno-go (snowmachine) 53  
   snow 49  
 Sommers, Johnny Sr. 57  
   spring 26  
 Stanley, Elia 51  
  
 Stanley, Missouri 51  
   steamboats 13, 14, 16, 25-40, 56  
   Steven, Benjamin 25  
 Stevens, Belle 23  
   Stevens Village 17, 21, 23  
   Stewart, Harold 35, 39  
   stores 34, 35, 52, 54  
   *St. Michael* 14, 36  
   *Susie-Louise* 14, 29  
   Tanana River 39  
*Tanana* 14  
   Tanana 12, 14-24, 31, 32, 40-47  
   Tolovana 39, 45, 46  
   tourists 32-34  
   trails 14, 21, 49  
   train 45  
   transportation 20, 21, 32, 43-49  
   trapping 50-55  
   Trinity Bay 12  
*Whitehorse* 14, 26, 27  
   Whites 18, 32  
   *William Isem* 14  
   wood 13, 21, 32, 53, 56, 60  
   Woodhopper 43  
   working for wages 26, 28-53, 56, 60  
   young people 23, 24, 32  
*Yukon* 14, 26, 29, 32, 35, 39  
   Yukon mouth 36-39  
   Yukon River 12, 14